

Technical Data Sheet

SKANDIKA Collection



Tigu



Tigu

Tigu is inspired by sea waves that run out on the beach, which have decided to use strict geometry. The angular diagonal structure of the relief winding in an ascending spiral around the washbasin determines the appearance of *Tigu*.

A geometric aesthetic that is harmonious and natural. Individual and unique, this washbasin shapes the design of the room and offers new and interesting perspectives every day.



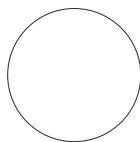
Material	quartz sand
Finish	matt
Standard sizes	300 x 300 x 130 mm (round) 350 x 350 x 130 mm (round) 430 x 430 x 130 mm (round) 400 x 300 x 130 mm (oval) 600 x 400 x 130 mm (oval)

above: 430 x 430 x 130 mm (round), glacier white

Standard colours



Ivory White



Glacier White



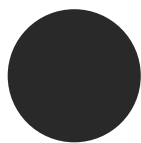
Lavender Grey



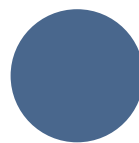
Stormy Grey



Dark Lava
(patinated)



Charcoal Black



Ocean Blue

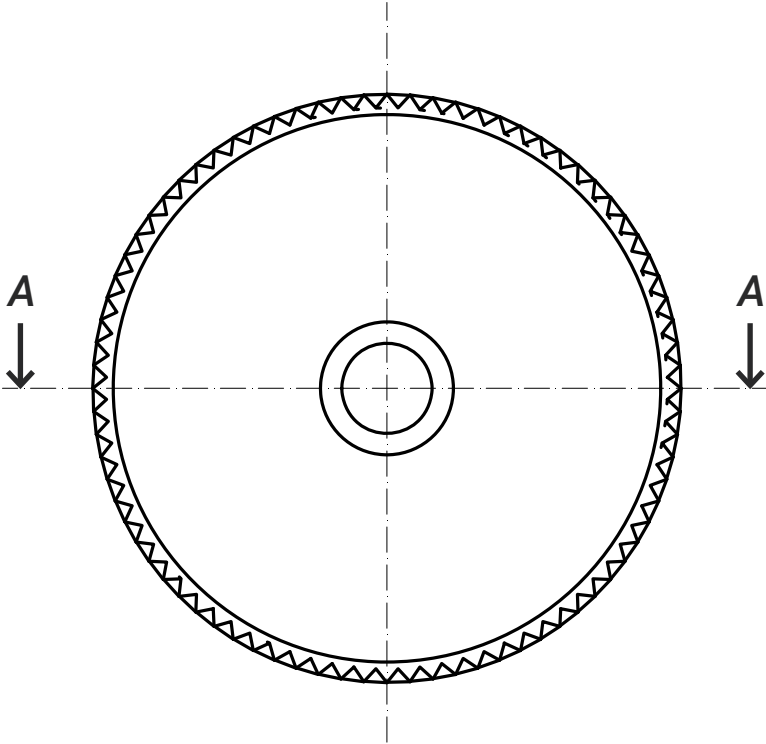
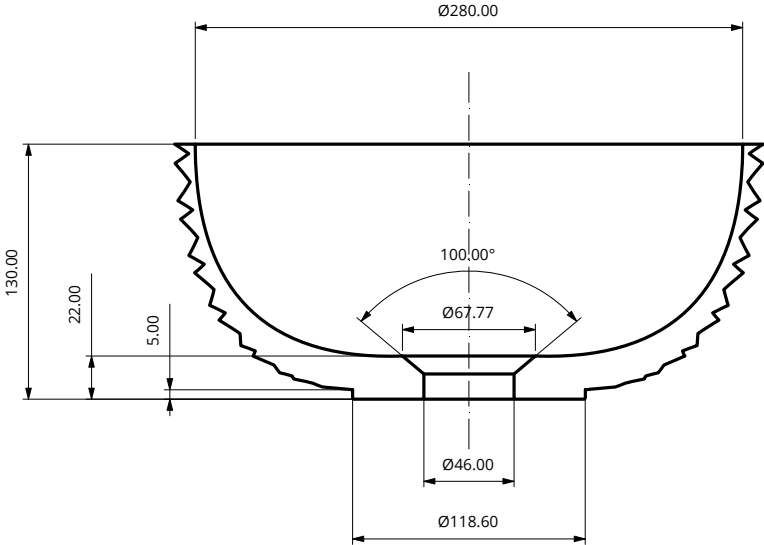


Olive Green

Tigu

300 x 300 x 130 mm

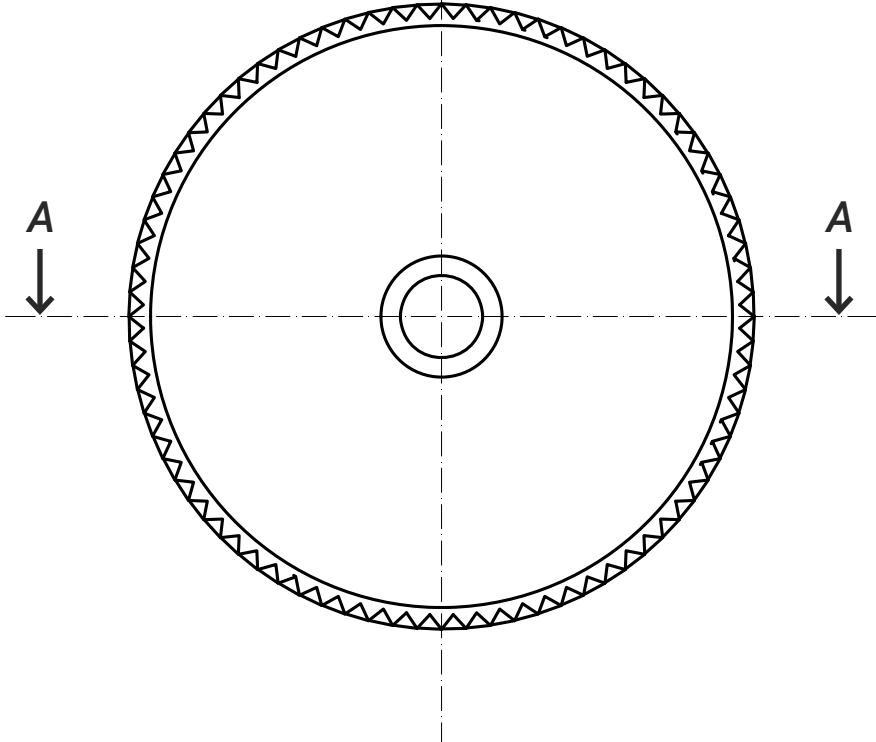
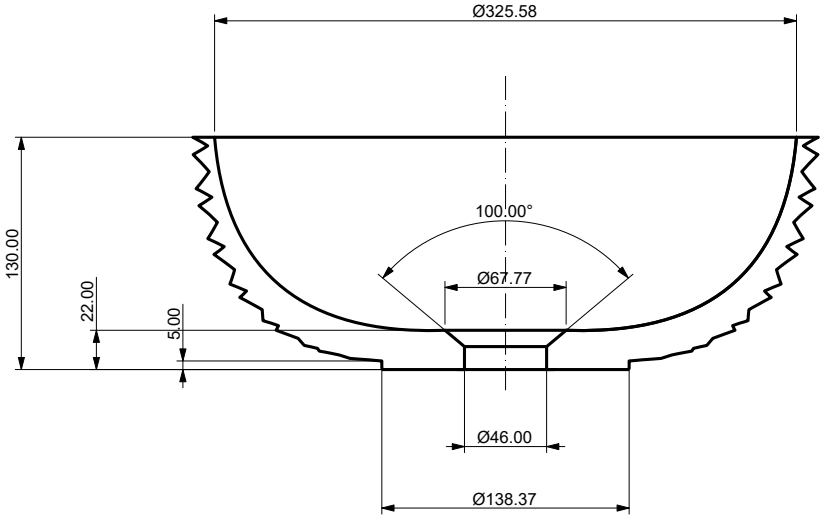
A - A



Tigu

350 x 350 x 130 mm

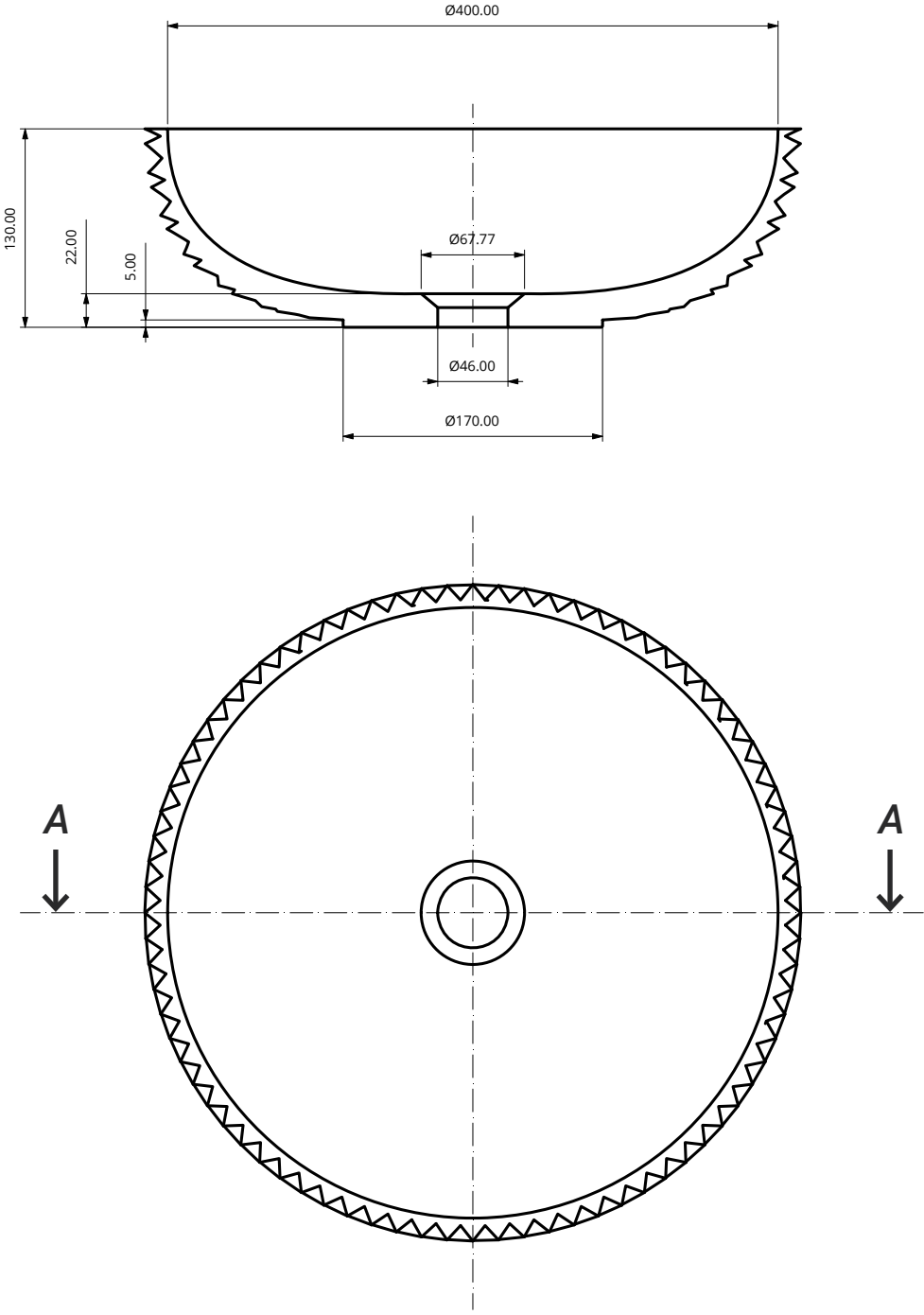
A - A



Tigu

430 x 430 x 130 mm

A - A

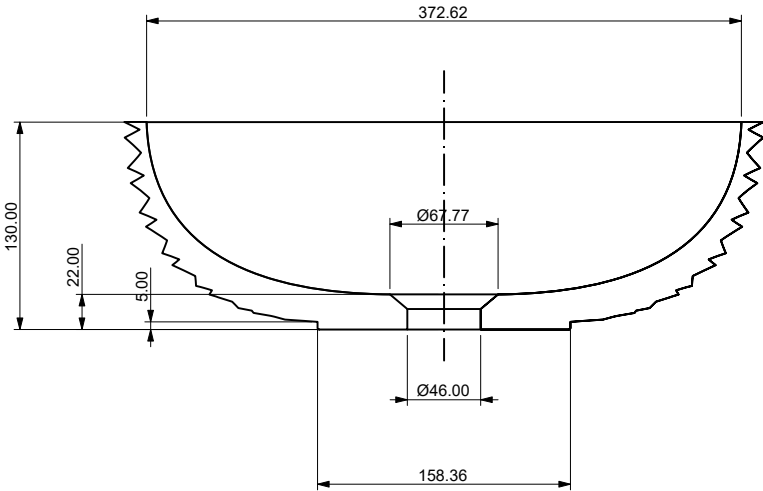


SANDHELDEN

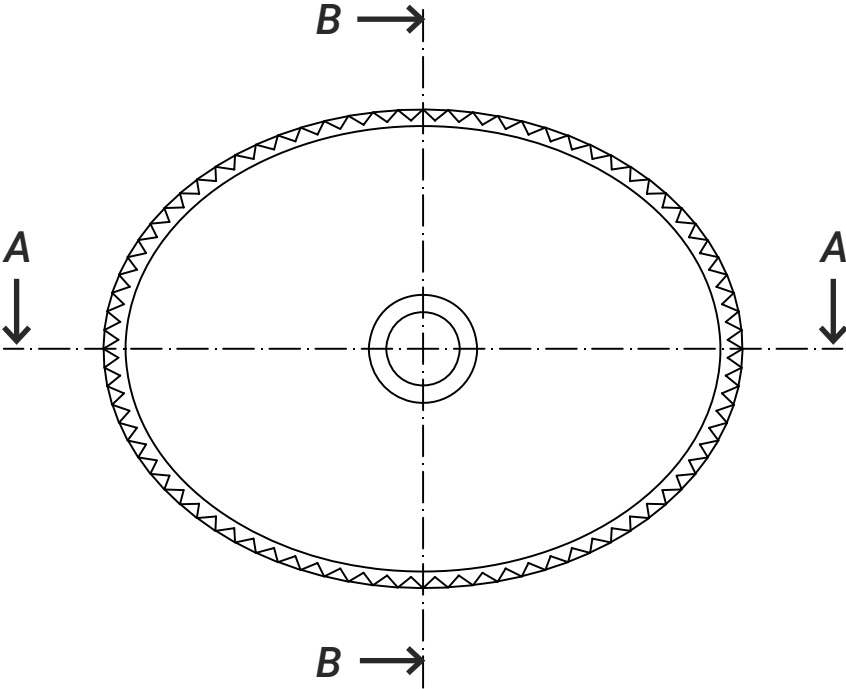
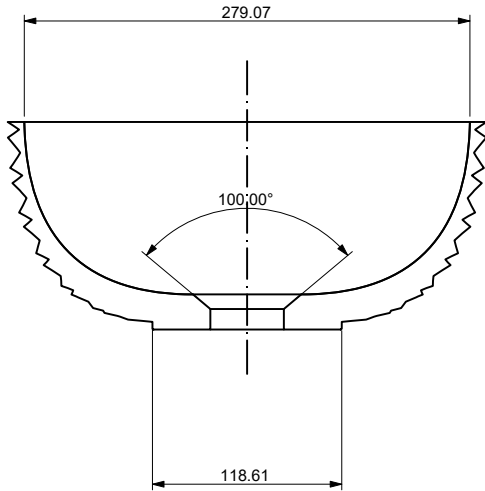
Tigu

400 x 300 x 130 mm

A - A



B - B

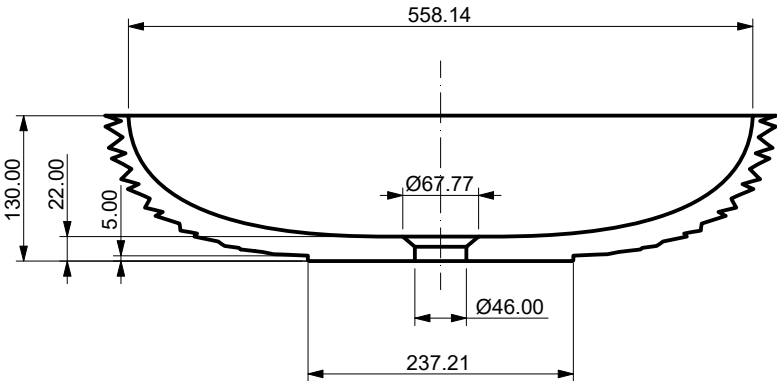


SANDHELDEN

Tigu

600 x 400 x 130 mm

A - A



B - B

